

## Data sheet

# Actuators for modulating control AME 25, AME 35

### Description



AME electric actuators are used with, VRB, VRG, VF, VL valves with additional adapter (Code No. **065Z0311**, not supplied) and VFS valves up to DN 50 diameter.

The actuator automatically adapts its stroke to valve end positions which reduces commissioning time.

The actuator has some special features:

- The advanced design incorporates load related 'switch-off' to ensure that actuators and valves are not exposed to overload;
- The advanced design incorporates a diagnostic LED, operational data capture and self stroking feature;
- Low weight and robust.

#### Main data:

- Nominal voltage:  
- 24 VAC, 50 Hz/60 Hz
- Control input signal:  
- 0(4)...20 mA  
- 0(2) ... 10 V
- Force: 450 N
- Stroke: 15 mm
- Speed: 15 s/mm
- Max. medium temperature: 150 °C
- Self stroking
- Output signal

### Ordering

#### Actuators

Type	Supply voltage (VAC)	Code No.
AME 25	24	<b>082G3025</b>
AME 35		<b>082G3022</b>

#### Accessories

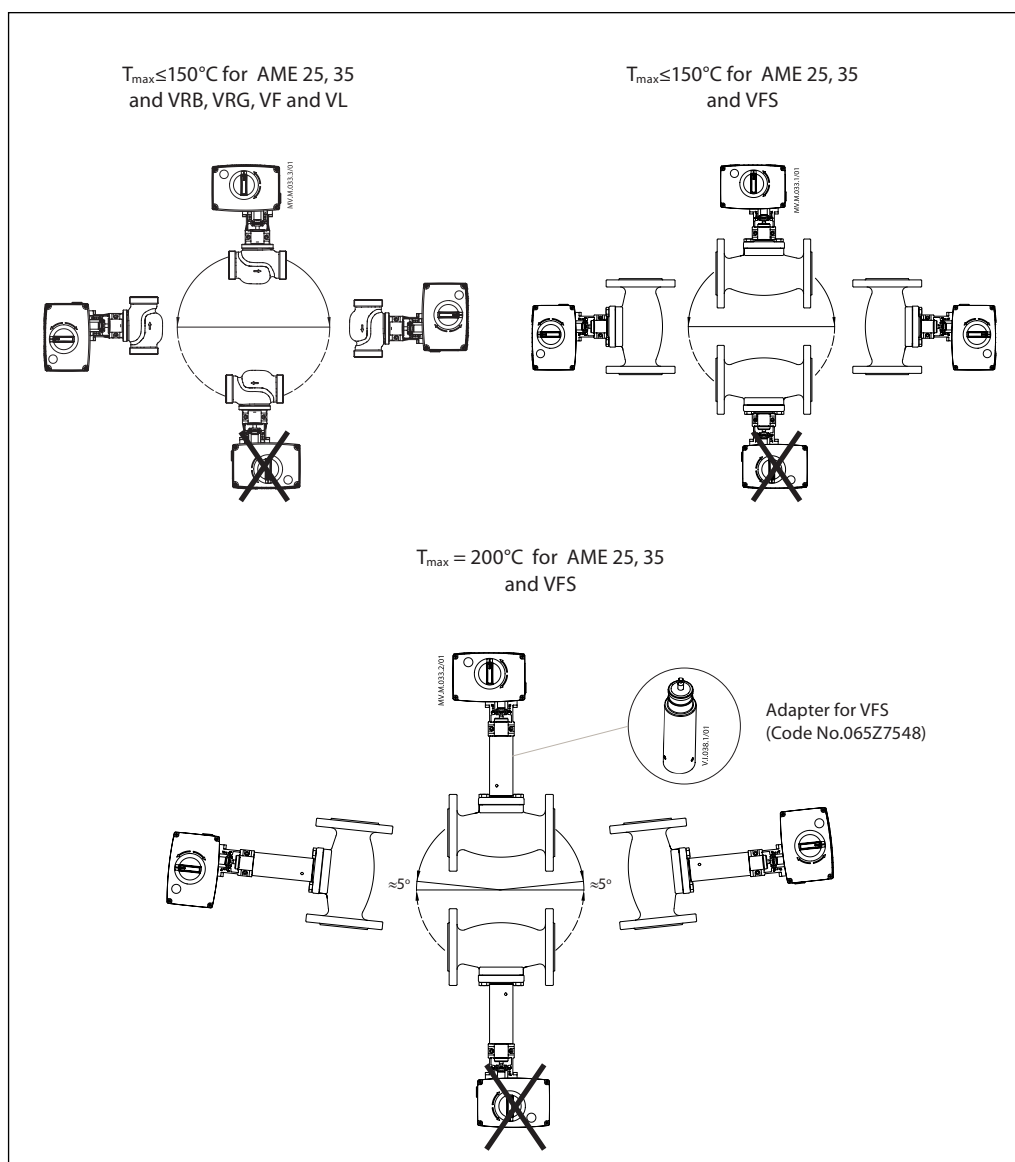
Type	Code No.
Adapter for VFS 2 valve DN 15-50 (for media temp. over 150 °C)	<b>065Z7548</b>
Adapter for VRB/VRG/VF/VL valves (gen.2009) DN 15-50	<b>065Z0311*</b>
Stem heater for VFS valve DN 15-50	<b>065B2171</b>
Active return signal kit for AME 25 SD, AME 25 SU	<b>082H3069</b>

\* Need to be ordered separately.

### Technical data

Type		AME 25	AME 35
Power supply	V	24 AC; +10 to -15%	
Power consumption	VA	4	9
Frequency	Hz	50/60	
Control input Y	V	0-10 (2-10) Ri = 24 kΩ	
	mA	0-20 (4-20) Ri = 500 Ω	
Output signal X	V	0-10 (2-10)	
Closing force	N	1000	600
Max. stroke	mm	15	
Speed by 50(60) Hz	s/mm	11 (8,8)	3 (2,4)
Max. medium temperature	°C	150 (200 - with adapter or mounted horizontally)	
Ambient temperature		0 ... 55	
Storage and transport temp.		-40 ... 70	
Grade of enclosure		IP 54	
Weight	kg	1,70	
- marking in accordance with standards		Low Voltage Directive 73/23/EEC, EMC-Directive 2006/95/EEC: - EN 60730-1, EN 60730-2-14	

Installation



**Mechanical**

Use 4 mm Allan key (not part of actuator delivery) to mount actuator on the valve. Installation of the valve with the actuator is allowed in horizontal position or upwards. Installation downwards is not allowed.

The actuator must not be installed in an explosive atmosphere, at ambient temperature lower than 0 °C or at ambient temperature higher than 55 °C. It must not be subject to steam jets, water jets or dripping liquid as well.

**Note:** the actuator may be rotated up to 360° with respect to the valve stem by loosening the retaining fixture. Once the actuator is placed, retighten the fixture.

**Electrical**

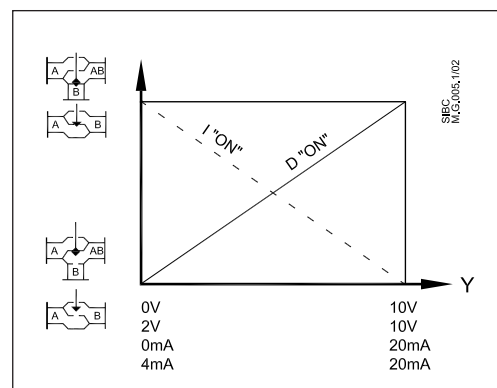
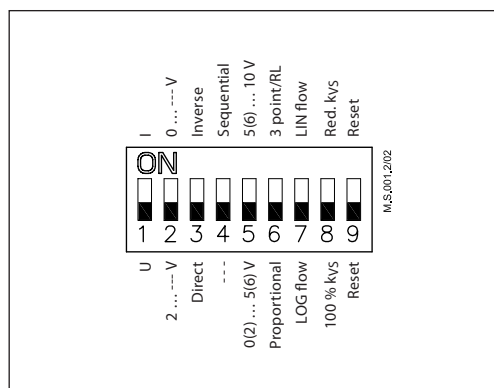
Electrical connections can be accessed by removing the actuator cover. Two cable gland entries with thread (M20 x 1.5 and M16 x 1.5) are prepared for cable glands.

**Note:** Cable and cable gland used must not compromise the actuator's IP rating, and must ensure the connectors are fully strain relieved. Please observe local rules and regulations as well.

**Disposal**

The actuator must be dismantled and the elements sorted into various material groups before disposal.

DIP switch setting



The actuator has a function selection DIP switch under the removable cover. In particular, if SW6 is set to ON, the actuator will perform as 3-point actuator.

The switch provides the following functions:

- **SW1: U/I - Input signal type selector:**  
If set to OFF position, voltage input is selected. If set to ON position, current input is selected.
- **SW2: 0/2 - Input signal range selector:**  
If set to OFF position, the input signal is in the range from 2-10 V (voltage input) or from 4-20 mA (current input). If set to ON position, the input signal is in the range from 0-10 V (voltage input) or from 0-20 mA (current input).
- **SW3: D/I - Direct or inverse acting selector:**  
If set to OFF position, the actuator is direct acting (stem lowers as voltage increases). If actuator is set to ON position the actuator is inverse acting (stem raises as voltage increases).
- **SW4: —/Seq - Normal or sequential mode selector:**  
If set to OFF position, the actuator is working in range 0(2)-10 V or 0(4)-20 mA. If set to ON position, the actuator is working in sequential range; 0(2)-5(6) V or 0(4)-10(12) mA or 5(6)-10 V or 10(12)-20 mA).
- **SW5: 0-5 V/5-10 V - Input signal range in sequential mode:**  
If set to OFF position, the actuator is working in sequential range 0(2)-5(6) V or 0(4)-10(12) mA. If set to ON position, the actuator is working in sequential range; 5(6)-10 V or 10(12)-20 mA.

• **SW6: Prop./3-pnt - Modulating or 3-point mode selector:**

If set to OFF position, the actuator is working normally according to control signal. If set to ON position, the actuator is working as 3-point actuator.

*For this operation please refer to page 4 (wiring 3-point control).*

When DIP switch SW6 is set to ON than all functions from other DIP switch become inactive.

• **SW7: LOG/LIN - Equal percentage or linear flow through valve selector<sup>1</sup>:**

If set to OFF position, the flow through valve is equal percentage. If set to ON position, the he flow through valve is linear according to control signal.

• **SW8: 100% K<sub>V5</sub>/Reduced K<sub>V5</sub> - Flow reduction through valve selector<sup>1</sup>:**

If set to OFF position, the flow through valve is not reduced. If set to ON position, the he flow through valve reduced by half of increment standard K<sub>V5</sub> values (example: valve with K<sub>V5</sub> 16 and SW8 set to ON – maximum flow through the valve is K<sub>V5</sub>13 (middle between standard K<sub>V5</sub> 16 and K<sub>V5</sub> 10).

<sup>1</sup> NOTE: To be used only in combination with valves with equal percentage characteristic.

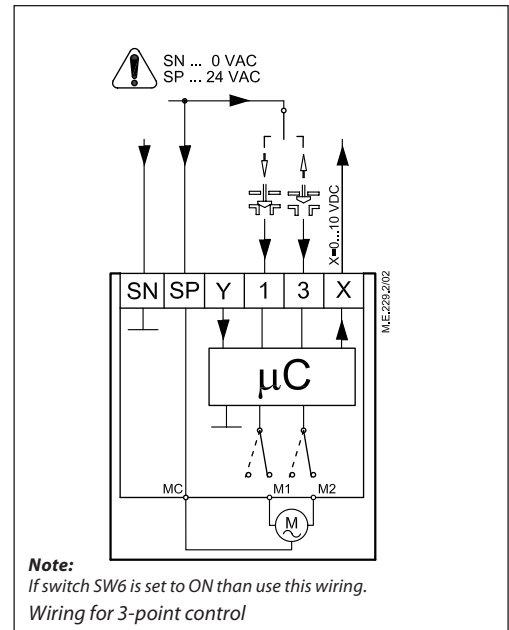
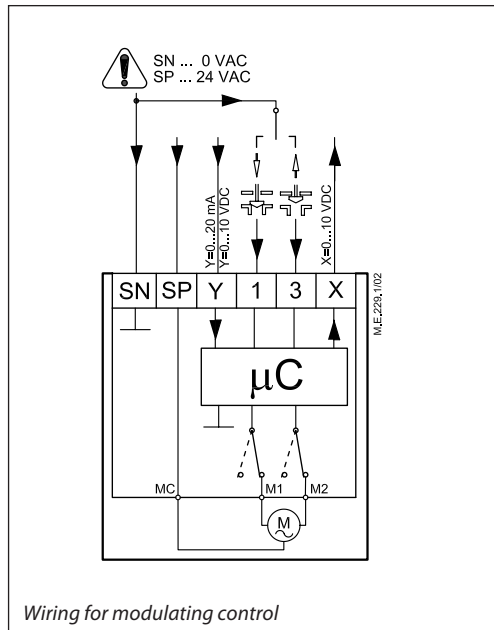
• **SW9: Reset:**

Changing this switch position will cause the actuator to go through a self stroking cycle.

Wiring



24 V AC



**Automatic self stroking feature**

When power is first applied, the actuator will automatically adjust to the length of the valve stroke. Subsequently, the self stroking feature can be re-initialised by changing position of SW9.

**Diagnostic LED**

The red diagnostic LED is located on the pcb under the cover. It provides indication of three operational states:

- Actuator Healthy (Permanently ON),
- Self Stroking (Flashes once per second),
- Error (Flashes 3 times per second - seek technical assistance).

Wiring length	Recommended square of the wiring
0-50 m	0,75 mm <sup>2</sup>
> 50 m	1,5 mm <sup>2</sup>

- SP** 24 V AC ..... Power supply
- SN** 0 V ..... Common
- Y** 0-10 V ..... Input signal (2-10 V) 0-20 mA (4-20 mA)
- X** 0-10 V ..... Output signal (2-10 V)

**Commissioning**

Complete the mechanical and electrical installation and perform the necessary checks and tests:

- Isolate control medium. (E.g. self stroking in a steam application without suitable mechanical isolation could cause a hazard).
- Apply the power. Note that the actuator will now perform the self stroking function.
- Apply the appropriate control signal and check the valve stem direction is correct for the application.
- Ensure that the actuator drives the valve over its full stroke, by applying the appropriate control signal. This action will set the valve stroke length.

The unit is now fully commissioned.

**Commissioning / testing feature**

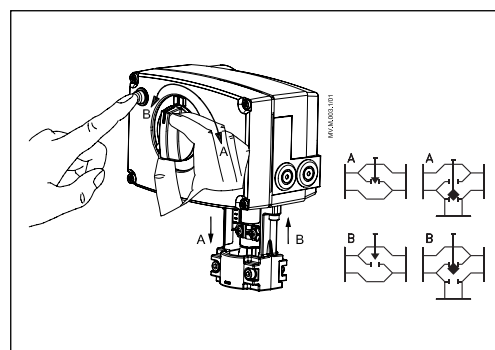
The actuator can be driven to the fully open or closed positions (depending on valve type) by connecting SN to terminals 1 or 3.

**Manual override**

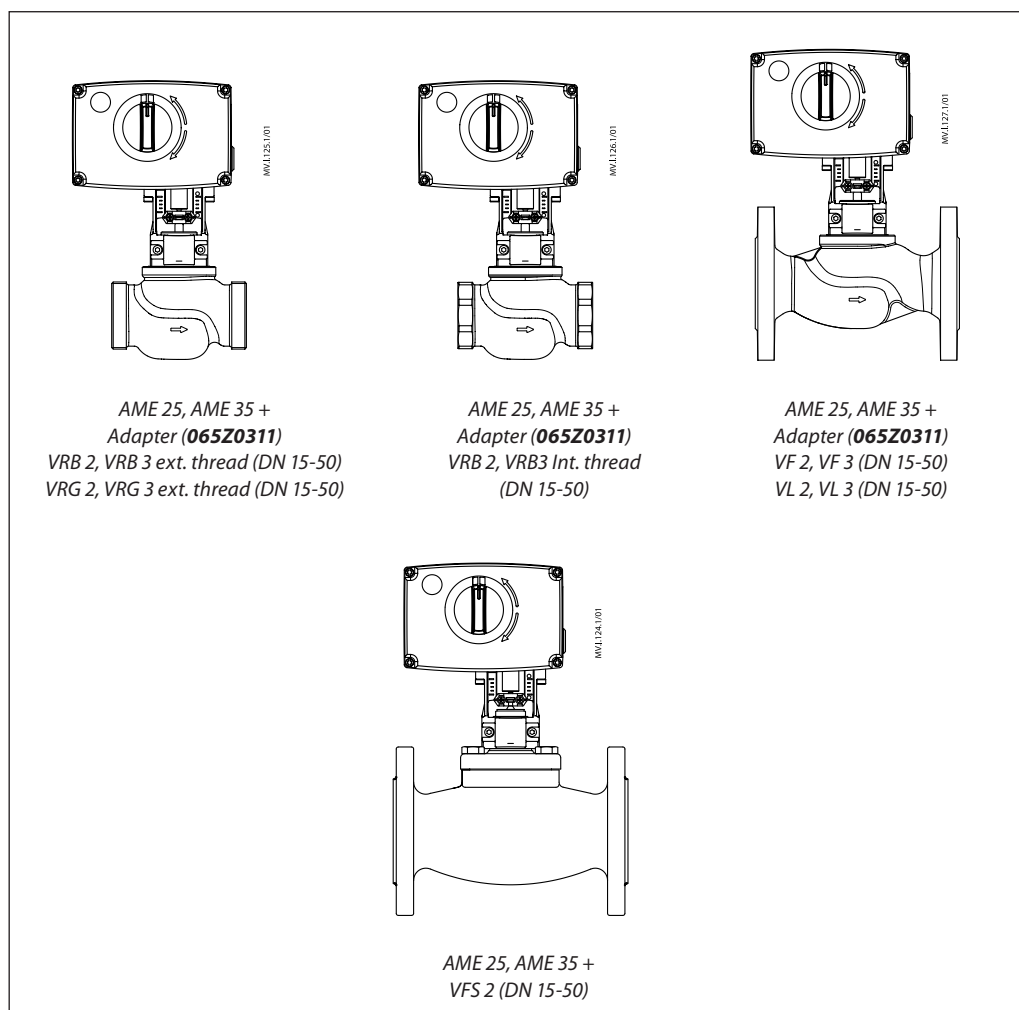
The manual override is achieved by turning the manual knob to the required position. Observe the direction of rotation symbol. If manual override has been used then X and Y signal are not correct until the actuator reaches its end position. If this is not accepted, mount accessory active return signal kit.

**Procedure**

- Press rubber button
- Adjust valve position using control knob
- Set valve to closed position
- Restore power supply



**Actuator - valve combinations**



Dimensions

