

TP75M Mains Powered Heating Controller Programmable Room Thermostats



Application & Features

The TP75M is a 220/240V powered version of the TP75 seven-day programmable thermostat.

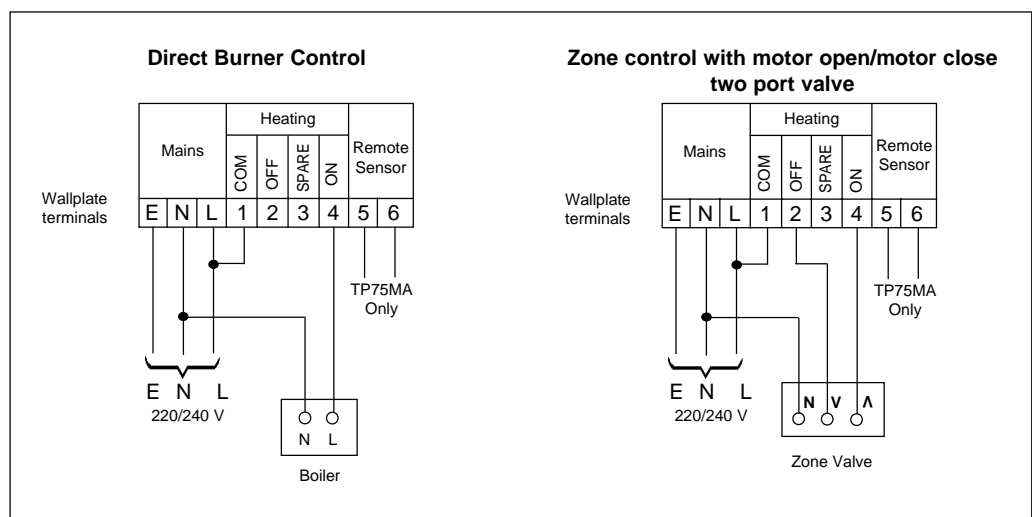
A selectable Optimum Start function will enable a required comfort temperature to be achieved by a programmed time, without wasting fuel because the heating plant started earlier than necessary. The chrono-proportional control logic ensures optimum comfort with minimal fuel consumption.

The basic model incorporates a temperature sensor within the casing, but a remote sensor version is also available. Both can be converted to operate as an electronic thermostat, controlling at a constant, user selected, temperature. The Holiday Mode uses this temperature for a selected number of days, before automatically returning to programmable thermostat mode.

- Mains voltage powered with battery back-up in the event of mains power failures
- Volt-free output contacts, rated 10 to 250Vac, 50/60Hz, or dc 10mA to 2(1)Amp.

- Integral or remote temperature sensing
- Up to 6 programmable temperature changes per day, including a programmed "OFF" function
- Selectable 7 day or 5/2 day programme
- Selectable time or temperature display
- Temperature range, 5°C to 30°C, in increments of 0.5°C.
- Selectable Chrono-proportional control or On/Off control
- Optional Optimum Start
- Frost protection function
- Thermostat function for constant temperature setting
- Holiday function, up to 99 days at a constant, selectable temperature
- Extend override, maintains existing set temperature for a further 1, 2 or 3 hours

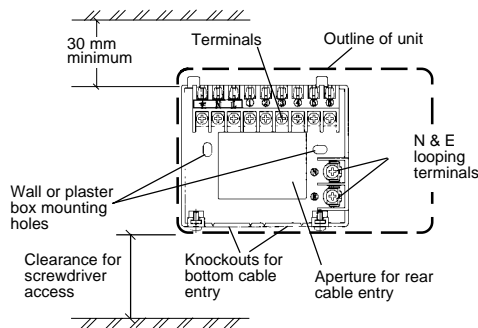
Typical System Connections



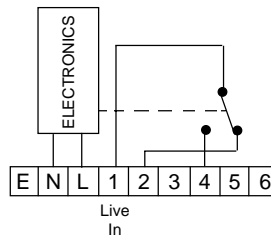
Specifications

Feature	Model Designations		
	Integral temperature sensor		Remote temperature sensor
3 or 6 cycles per hour, chrono-proportional control	TP75M		TP75MA
Programmes	Profiled - (up to 6 temperature changes per day) All Day - (1st event temperature lasts until 6th event time)		
User overrides	Raise or lower temperature setting Extend duration of existing temperature setting by 1, 2 or 3 hours Select Profiled or All Day programme		
Factory pre-set programme, all may be changed. Note: An "OFF" event can also be programmed	Monday to Friday	Event	Saturday & Sunday
	20°C at 06:30	1	20°C at 07:30
	15°C at 08:30	2	20°C at 09:30
	20°C at 11:30	3	20°C at 11:30
	15°C at 13:30	4	20°C at 13:30
	21°C at 16:30	5	21°C at 16:30
	15°C at 22:30	6	15°C at 22:30
DIL switch options at the time of installation	DIL Switch No.	Factory Pre-set	Installer Alternative
	1	7 day programme	5/2 day programme
	2	Optimum Start Control disabled	Optimum Start Control enabled
	3	ON/Off control	Chrono control enabled
	4	3 control cycles per hour	6 control cycles per hour
Voltage Rating of Relay	10-250 Vac, 50/60 Hz or 10-50 Vdc		
Current Rating of Relay	10mA to 3 Amp (res), 1 Amp (ind)		
Switching Action	SPDT voltage free		
Power Supply	220/240 Vac, 50/60 Hz		
Battery Back-up	Up to 15 days		
Max. Ambient Temperature	45°C		
Dimensions (mm)	135 wide x 88 high 32 deep		

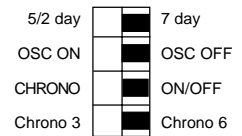
Fixing clearances, Internal wiring & DIL Switch Settings



Internal wiring



Factory pre-set DIL switch settings



Remote Control Functions External Connections

