



Instructions

Safety thermostats, ST-1 and ST-2



087R9072

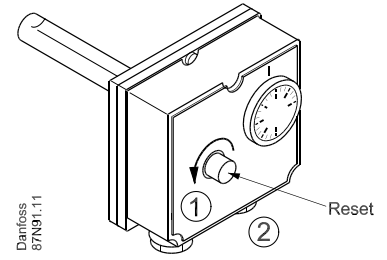
087R9072



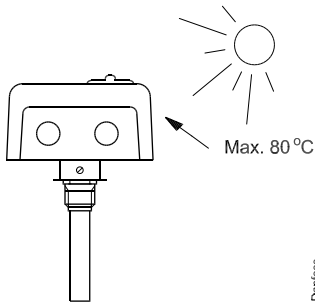
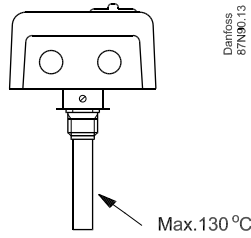
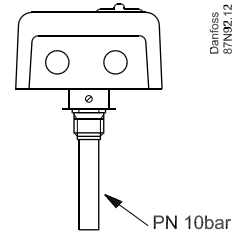
ST-1



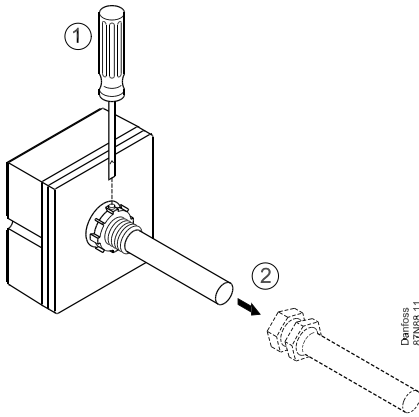
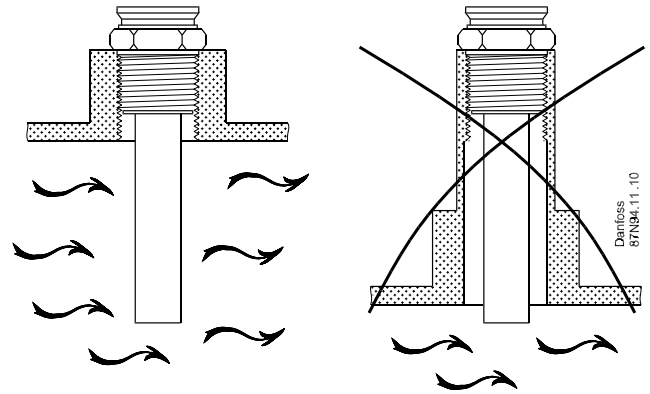
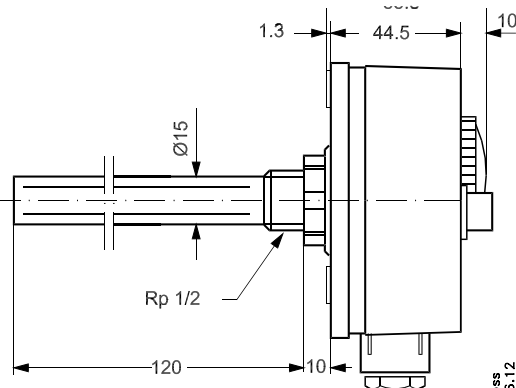
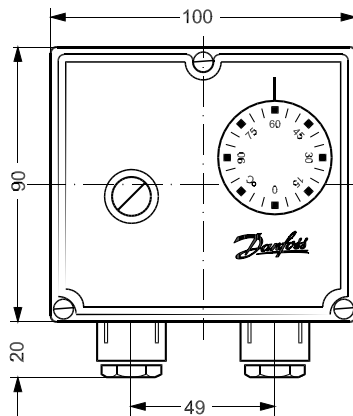
ST-2

Danfoss
87N91.11

ST-2

Danfoss
87N93.11Danfoss
87N96.13Danfoss
87N92.12

7A 380V~
10 (2.5)A 250V~

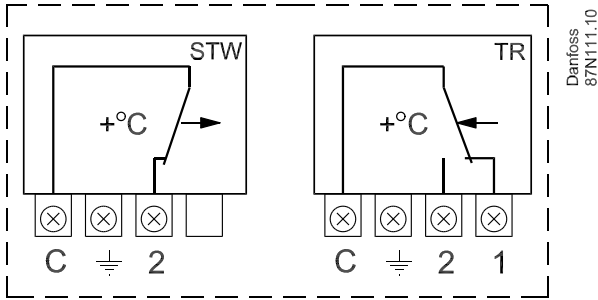
Danfoss
87N93.12Danfoss
87N88.11Danfoss
87N94.11 .10Danfoss
87N86.12



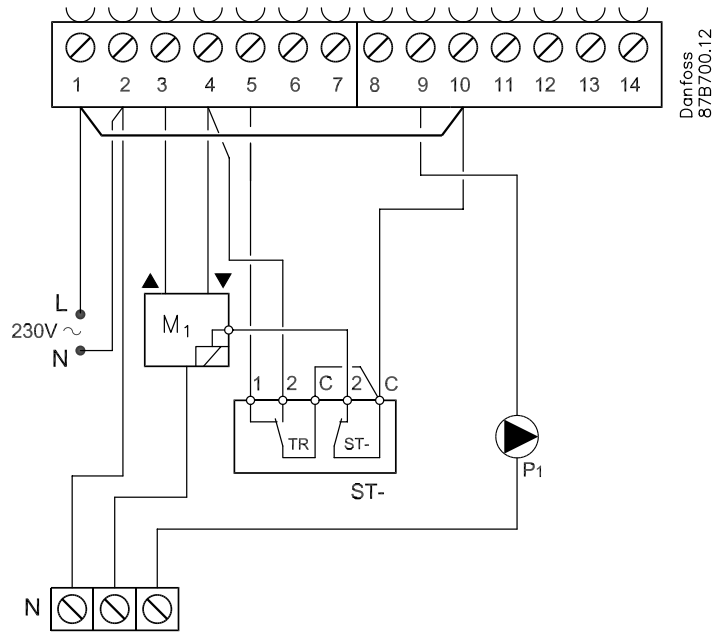
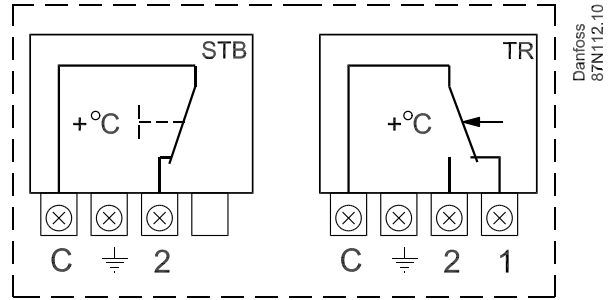
087R9072

087R9072

ST-1



ST-2



ECL Comfort / AMV(E) 13-23-33