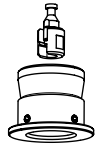


Installation Guide

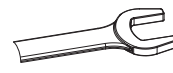
Adapter AMV(E) 15 QM / AB-QM (DN 40-100)



065Z0694



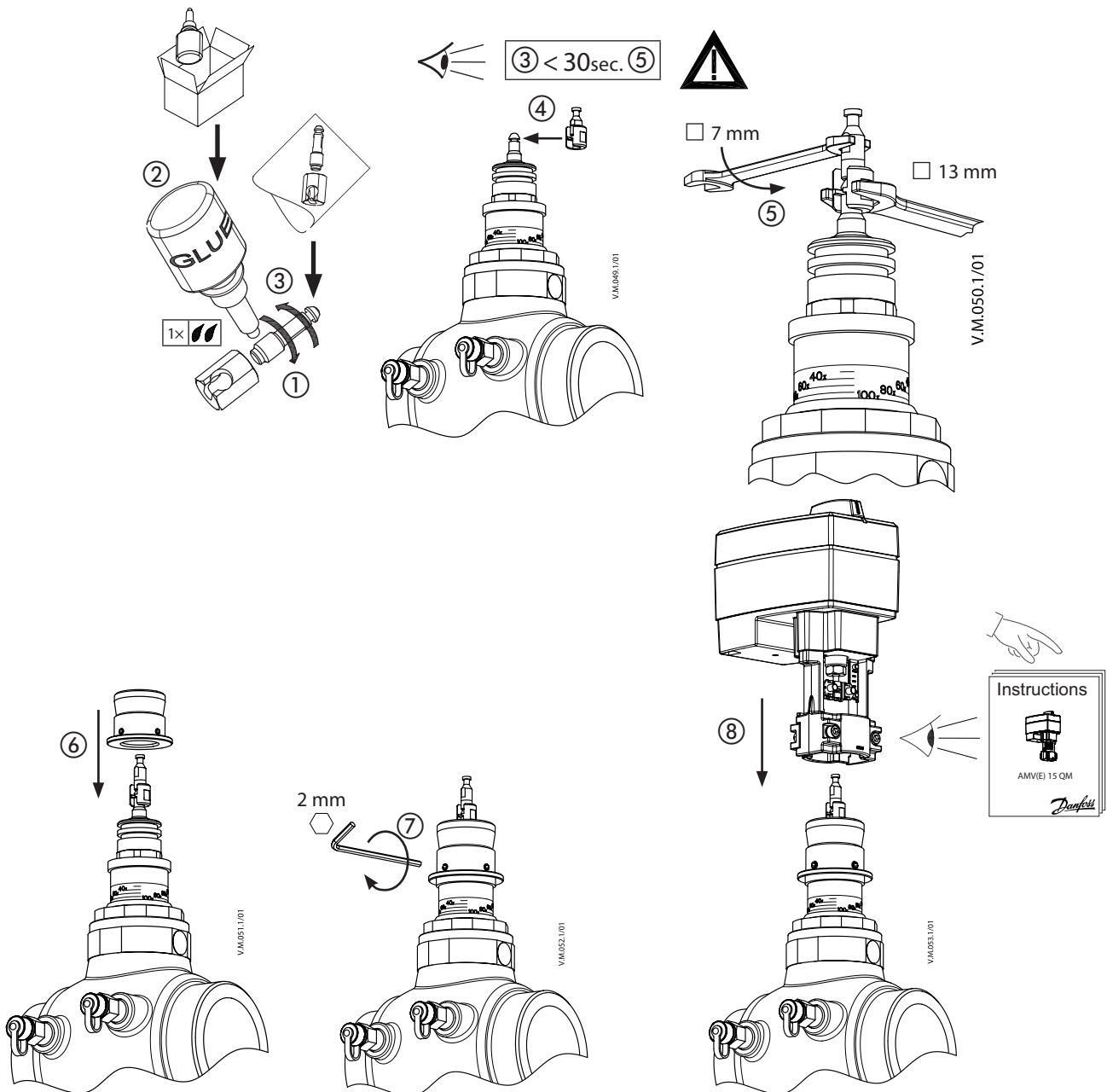
2 mm



7 mm



13 mm



Installation Guide Adapter AMV(E) 15 QM / AB-QM (DN 40-100)
