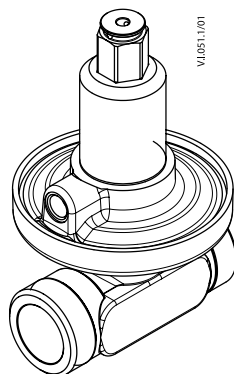
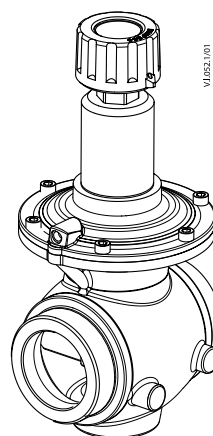


Installation Guide

AHP, DN 15-50 (PN 16)



DN 15-40
 $\Delta p = 0.2-0.4$ bar



DN 50
 $\Delta p = 0.2-0.4$ bar
 $\Delta p = 0.35-0.75$ bar
 $\Delta p = 0.6-1.0$ bar

ENGLISH

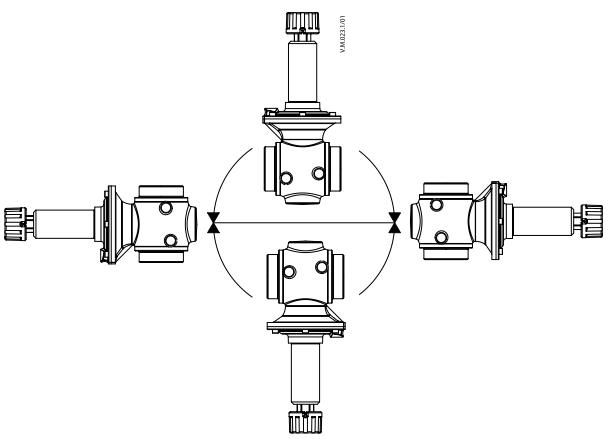
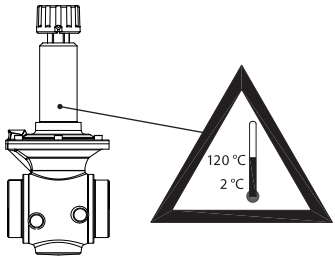
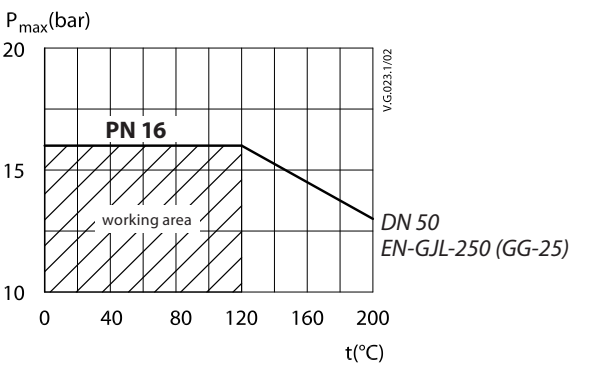
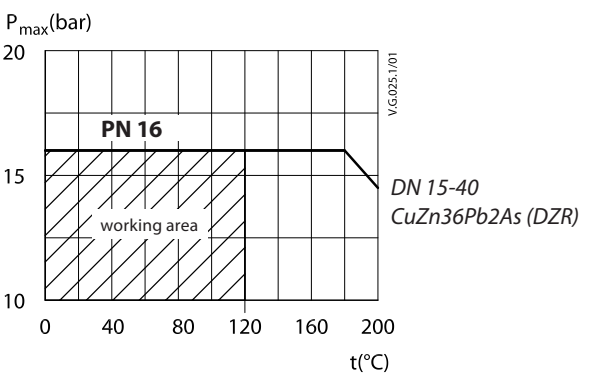
Differential pressure controller AHP (DN 15-50)

www.danfoss.com

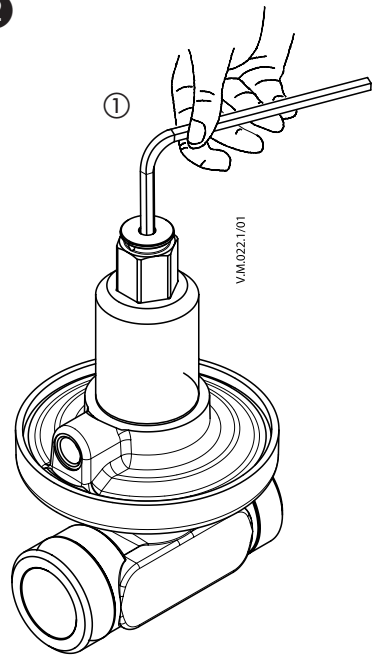
Page 4

Installation Guide AHP (DN 15-50)

1



2



DN	mm
15	2.5
20	3
25	4
32	5
40	5
50	5

②

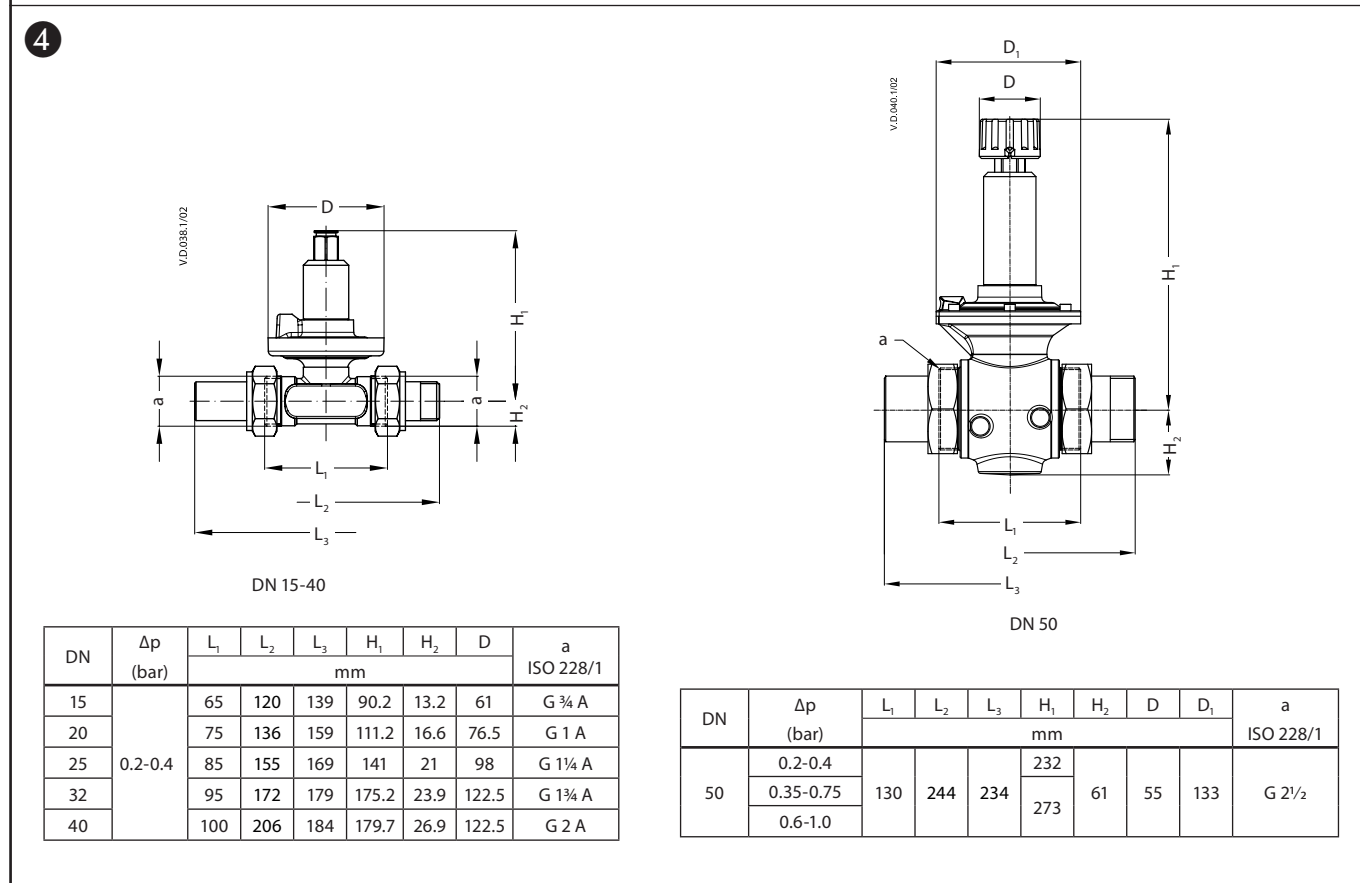
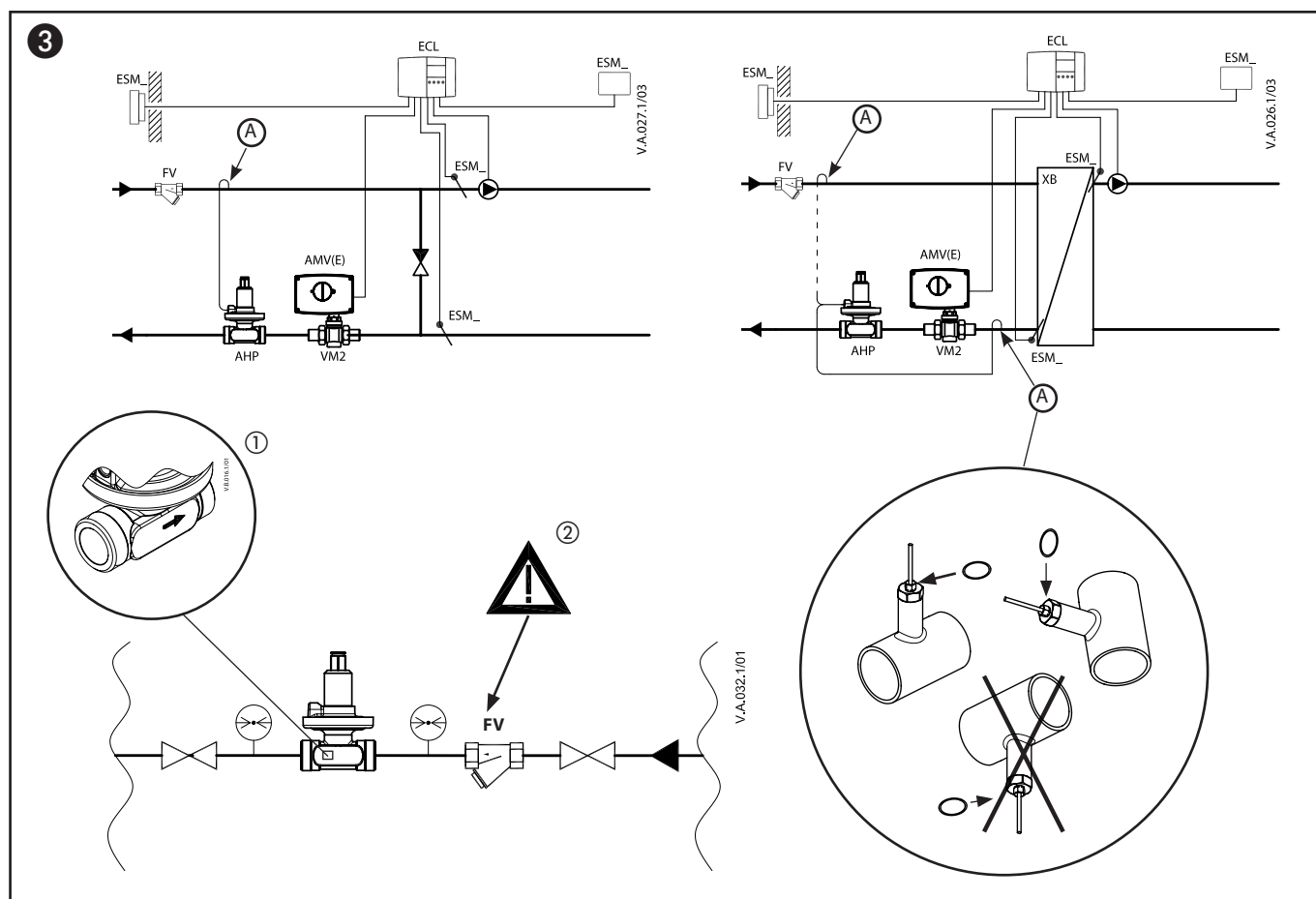
¹⁾ Δp setting range (bar)	bar
0.2-0.4	0.30
0.35-0.75	0.60
0.6-1.0	0.80

③

n (turns)	DN 15-40	DN 50		
	0.2-0.4	0.2-0.4	0.35-0.75	0.6-1.00
		bar		
0		0.40	0.75	1.00
1		0.39	0.73	0.98
2		0.38	0.71	0.96
3		0.37	0.69	0.94
4		0.36	0.67	0.92
5	0.40	0.35	0.65	0.90
6	0.39	0.34	0.63	0.88
7	0.38	0.33	0.61	0.86
8	0.37	0.32	0.59	0.84
9	0.36	0.31	0.57	0.82
10	0.35	0.30	0.55	0.80
11	0.34	0.29	0.53	0.78
12	0.33	0.28	0.51	0.76
13	0.32	0.27	0.49	0.74
14	0.31	0.26	0.47	0.72
15	0.30	0.25	0.45	0.70
16	0.29	0.24	0.43	0.68
17	0.28	0.23	0.41	0.66
18	0.27	0.22	0.39	0.64
19	0.26	0.21	0.37	0.62
20	0.25	0.20	0.35	0.60
21	0.24			
22	0.23			
23	0.22			
24	0.21			
25	0.20			

n = 360°

Installation Guide AHP (DN 15-50)



ENGLISH

Safety notes

To avoid injury of persons and damages to the device, it is absolutely necessary to carefully read and observe these instructions.

Necessary assembly, start-up and maintenance work must only be performed by qualified and authorized personnel.

Disposal instruction

This product should be dismantled and its components sorted, if possible, in various groups before recycling or disposal.

Always follow the local disposal regulations.

Installation ③

AHP must be installed in the return pipe. The flow must be in the direction of the arrow on the valve body-fig ①.

It is recommended to install filter ② in the system supply pipe. The impulse tube must be flushed through before being fitted on the + connection of the AHP controller.

AHP controller must in addition be installed as determined by installation conditions. After the system has been in use for some time, the connections with external threads should be tightened once again to minimize the risk for leakage.

Pressure testing

When pressure testing you must secure that both sides of the membrane have the same static pressure. That means the impulse tube must be connected and any needle valves must be open. During this operation (closing or opening the valves) please make sure that there is never lower pressure on upper side of the membrane. If this instructions are ignored, the diaphragm might be damaged.

Setting/adjustment ②

The AHP controllers are sold in different Δp setting ranges. The controllers are factory-set to a defined value as described on Factory pressetting table on fig ②. The setting on AHP can be changed by turning the setting spindle ①. Use the following procedure to set the desired differential pressure:

- turning the spindle clockwise increases the setting
- turning it counter clockwise reduces the setting.

If the setting is not known, turn the spindle fully clockwise. With this the setting on AHP is at maximum value within setting range. Now turn the spindle a number of times (n) as described in ③ until the required differential pressure setting is obtained.

Note: Do not turn the spindle more than 20/40 turns as it will become disengaged.

Starting

During system start please secure that there is the same static pressure on both sides or higher pressure on upper side of the membrane (+ connection).

Dimensions ④