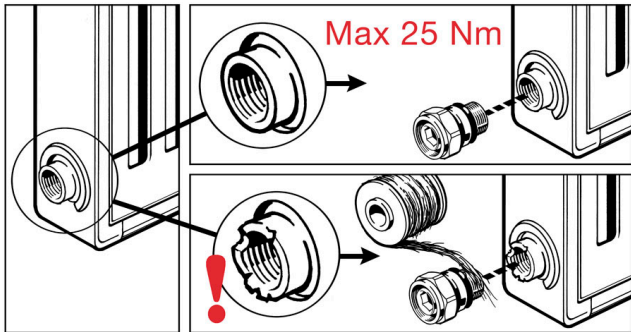
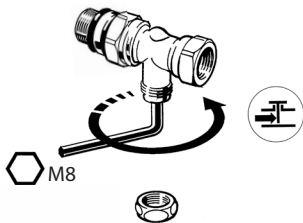


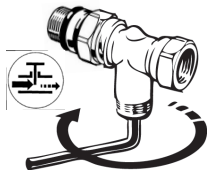
*Danfoss*

RLV-S 15 1/2" SELF SEAL PN10





OPEN/CLOSE



SET FLOW