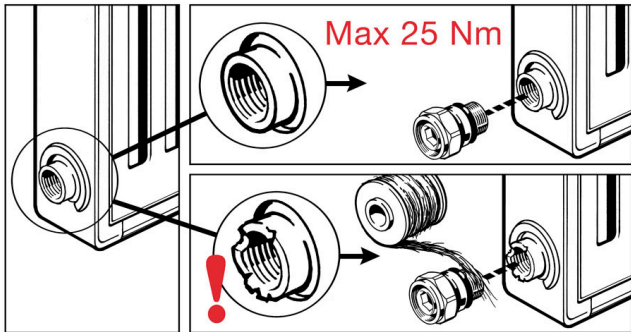
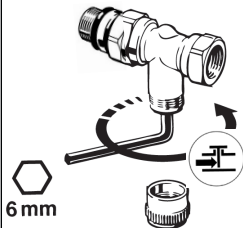


*Danfoss*

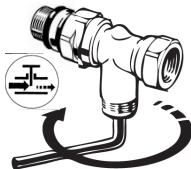
RLV 15 1/2" SELF SEAL PN10



## OPEN/CLOSE



## SET FLOW



## DRAIN

