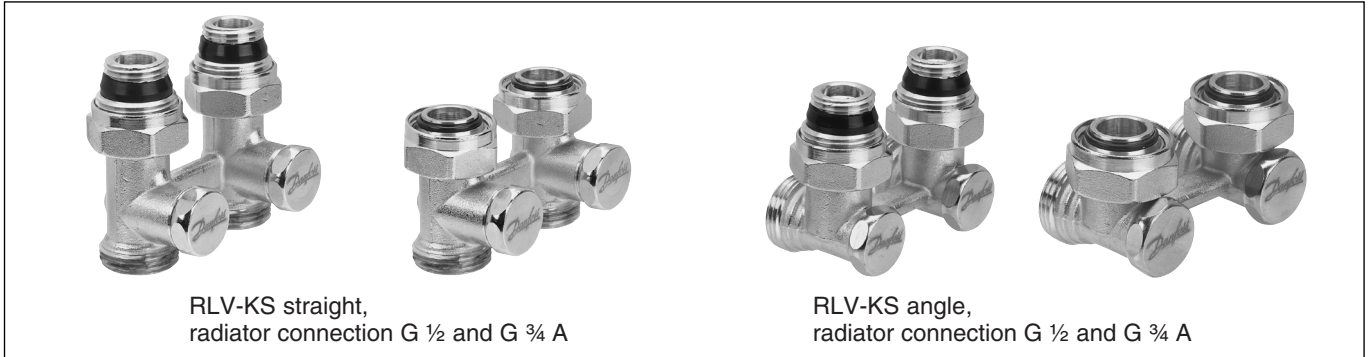


**H-piece valves type RLV-KS
for valve radiators**

- for two-pipe systems
- blockable



RLV-KS straight,
radiator connection G 1/2 and G 3/4 A

RLV-KS angle,
radiator connection G 1/2 and G 3/4 A

Application

By means of the H-piece valve type RLV-KS, every valve radiator with a centre distance between the connections of 50 mm can be blocked individually, e.g. in order to carry out trouble-free maintenance without affecting other parts of the system.

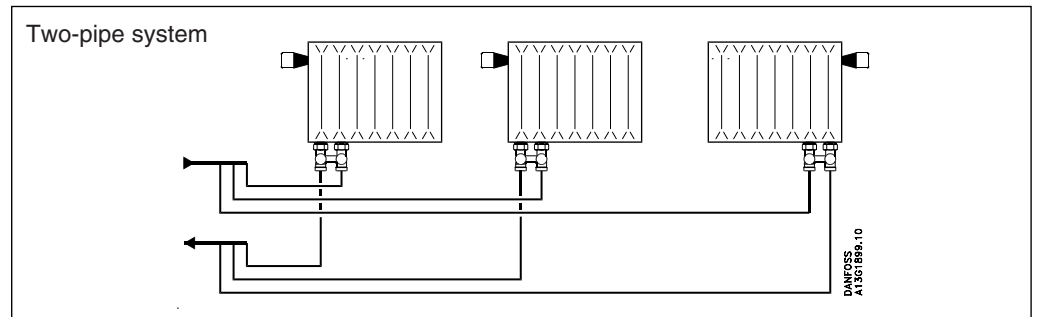
H-piece valve type RLV-KS is nickel plated and is available in straight and angle versions. The H-piece can be used directly for radiators with an external thread of G 3/4 A. With a self-sealing adapter the H-piece can be used for

radiators with an internal thread of G 1/2 as well.

Connection to copper, soft steel, PEX and Alupex pipes is made with Danfoss compression fittings. See separate datasheet.

In order to avoid deposition and corrosion, the composition of the hot water should be in accordance with the VDI 2035 guideline (Verein Deutscher Ingenieure).

System



Ordering and data

Type	Version	Connection		k _{vs} m³/h	Max. operation pressure	Test pressure	Max. water temperature	Code no.
		Radiator	System					
RLV-KS	Angle	G 1/2 A	G 3/4 A	1.3	10 bar	16 bar	120 °C	003L0222
	Straight							003L0220
	Angle	G 3/4	G 3/4 A					003L0223
	Straight							003L0221

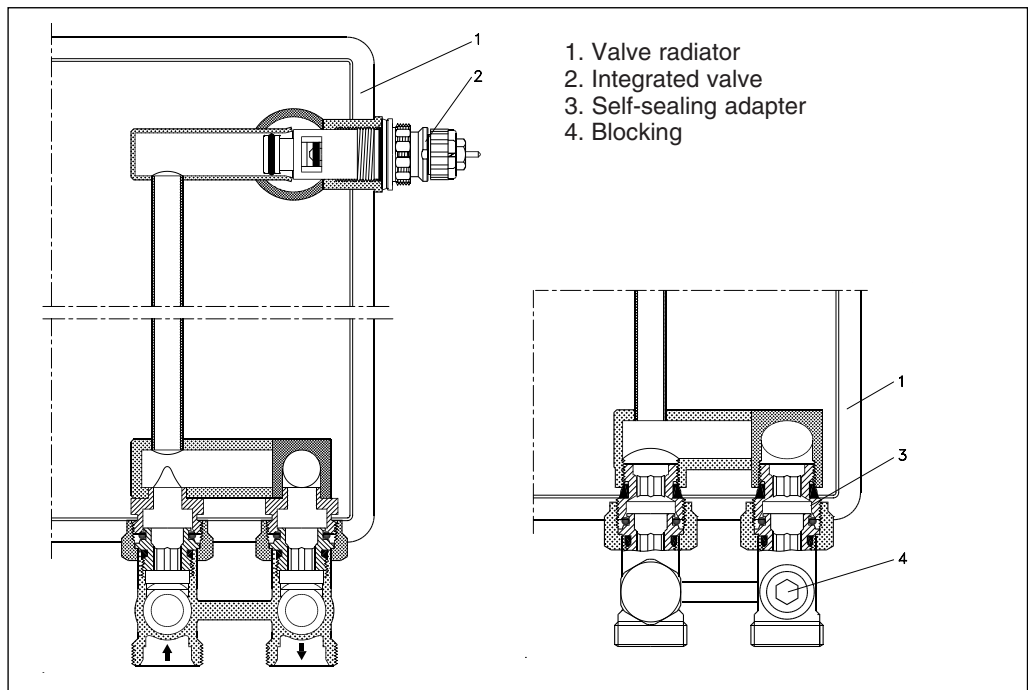
Accessories

Product	Code no.
Self-sealing connection nipple ¹⁾ for valve radiator with G 1/2 internal thread	003L0297



1) Packing size = 20 pcs.

Design

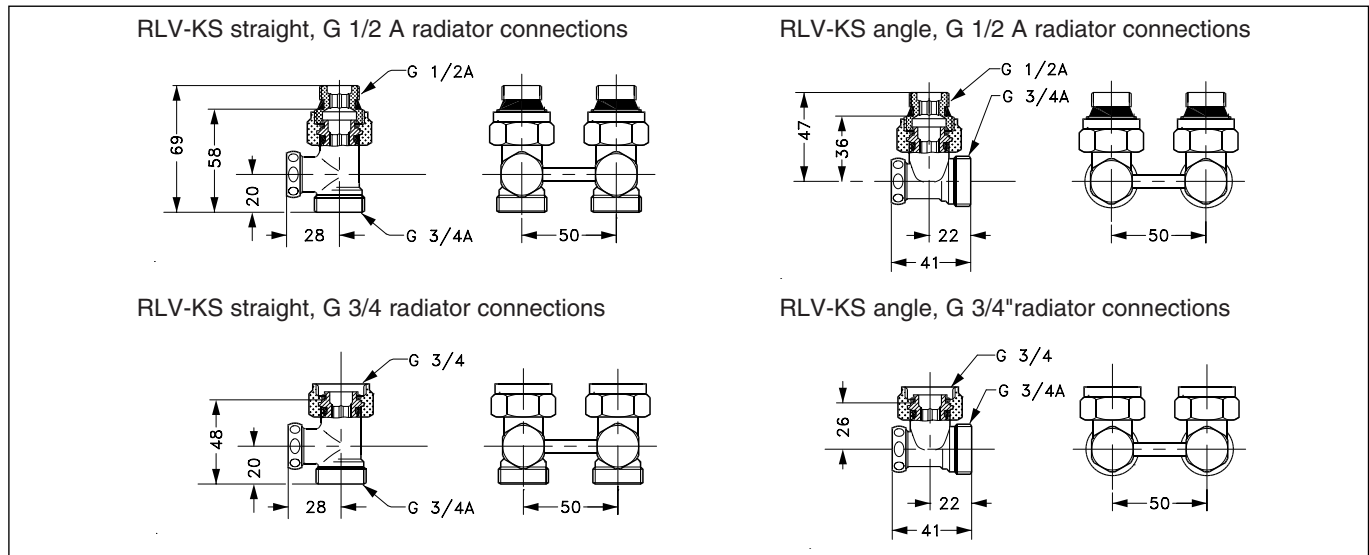


- 1. Valve radiator
- 2. Integrated valve
- 3. Self-sealing adapter
- 4. Blocking

Materials in contact with water

Valve body and other metal parts	Ms 58
O-rings	EPDM

Dimensions



Danfoss can accept no responsibility for possible errors in catalogues, brochures and other printed material. Danfoss reserves the right to alter its products without notice. This also applies to products already on order provided that such alterations can be made without subsequential changes being necessary in specifications already agreed. All trademarks in this material are property of the respective companies. Danfoss and the Danfoss logotype are trademarks of Danfoss A/S. All rights reserved.